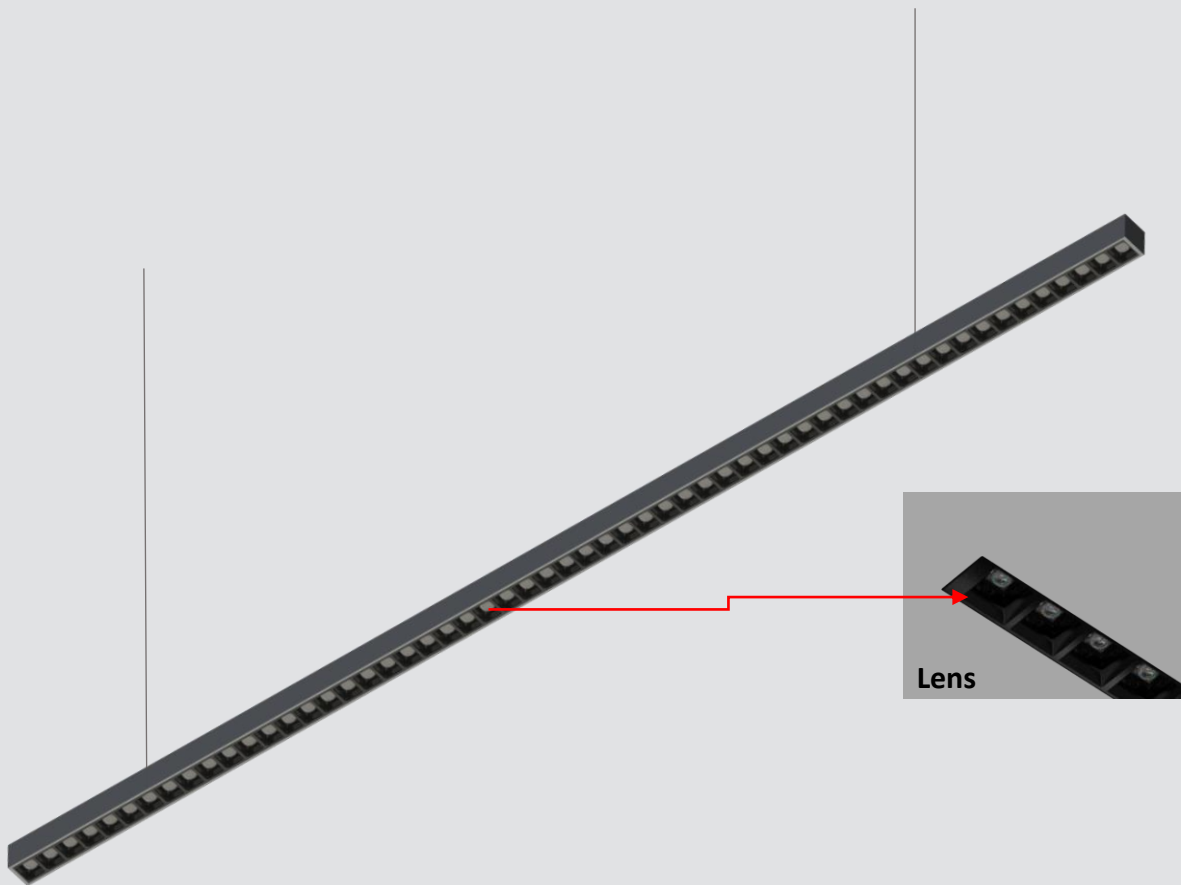


# Viraj Daisy Mini Direct Pendant



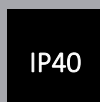
Model no : DL-TVD-MINIDPL-25



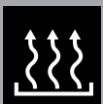
Low-power LEDs



3000K



IP40



Excellent thermal management

MACADAM 3



Direct

# Structure and Characteristics

The features described here are typical of products in this range. Special versions may offer additional or varying features

## 1 - Optics

Lens

## 2 - LED Module

25W

## 3 - Luminaire head and housing

Aluminium extrusion

## 4 - Control Gear

NON-Dimmable/Dali-Dimmable

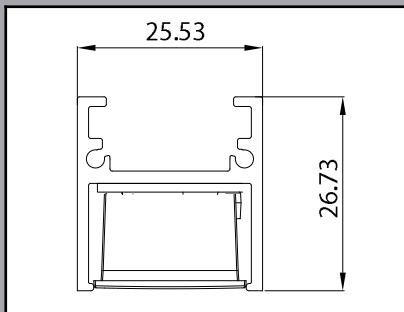
## 5 - Protection Mode

IP40

## 6 - CCT

3000K

Dimensions



Dimensions

L=1200mm  
W=25.5mm  
H=26.7mm

Efficacy

115 lm/W

CRI

≥80

Mounting

Pendant

Life Span

L70 (60,000H)

UGR

<19

Beam angle

60°

Dimming

NON-Dimmable/  
Dali-Dimmable

Housing Finish

Powder coated

Led Module

25W

CCT

3000K

Input Voltage

220-240 Vac

Power Factor (PF)

0.95

McAdam

3rd

THD

<10%

